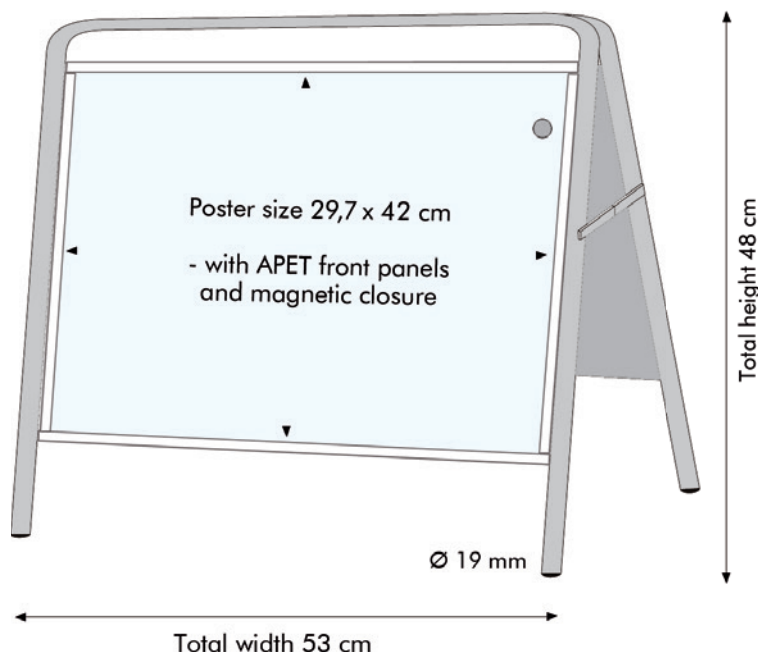
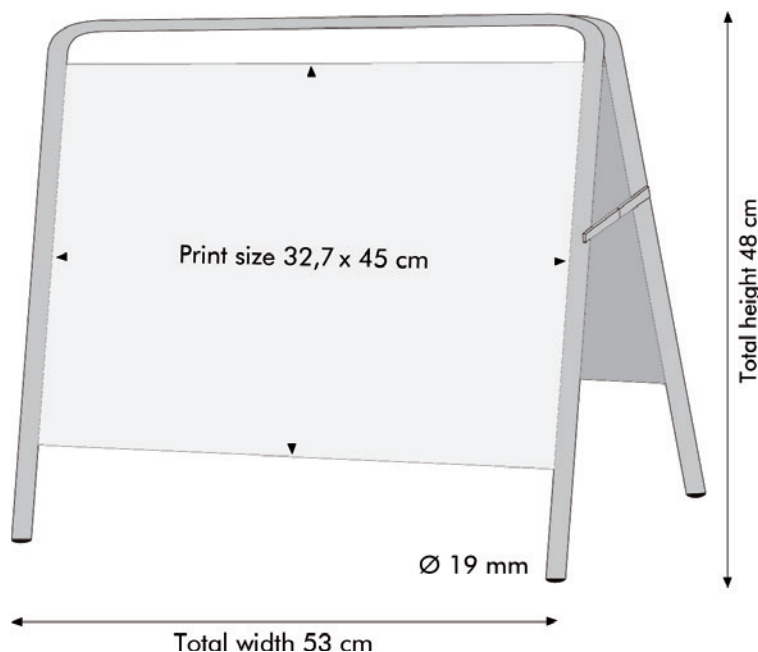




Art. no. 3309



Art. no. 3307 & 3310



Produced in 19 mm phosphated and polyester white lacquered steel tubes.

Art. 3307: Alu/zink plate for film.

Art. 3309: APET front panels with magnetic closure for A3 poster

Art. 3310: White lacquered plate for print/film.

Strassenständer aus 19 mm Weisse Stahlrohr, phosphatiert und polyesterlackiert.

Art. 3307: Alu/Zink Platte für Folie.

Art. 3309: APET Frontplatten mit Magnetband für A3 Poster.

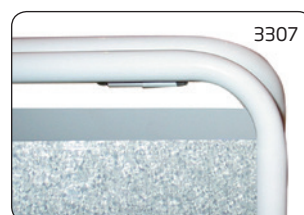
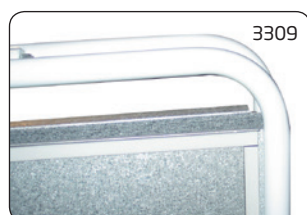
Art. 3310: Weisser Platte für Druck/Folie.

Gadeskilt af 19 mm stålrør, fosfateret og polyesterlakeret.

Art. 3307: Alu/zink stålplade til foliemontering.

Art. 3309: APET frontplader med magnet til A3 plakater.

Art. 3310: Hvidlakeret stålplade til tryk eller folieudskæring.



Model	Art.no.	Pavement Board	Size	Colour	Total W x H	Package size and weight	Pallet size and quantity
155	3307	Alu/zink steel plate	32,7 x 45 cm	White	53 x 48 cm	61 x 52 x 7 cm 4 kg	80 x 120 x 220 cm 50 pcs.
-	3309	APET front panels (for A3 poster)	29,7 x 42 cm	-	53 x 48 cm	61 x 52 x 7 cm 4 kg	80 x 120 x 220 cm 50 pcs.
-	3310	White lacquered steel plate	32,7 x 45 cm	-	53 x 48 cm	61 x 52 x 7 cm 4 kg	80 x 120 x 220 cm 50 pcs.